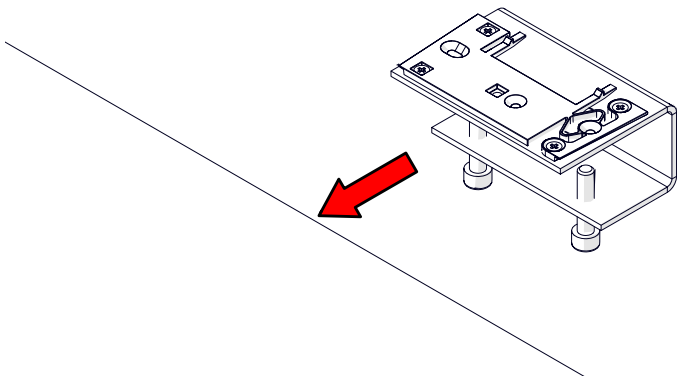


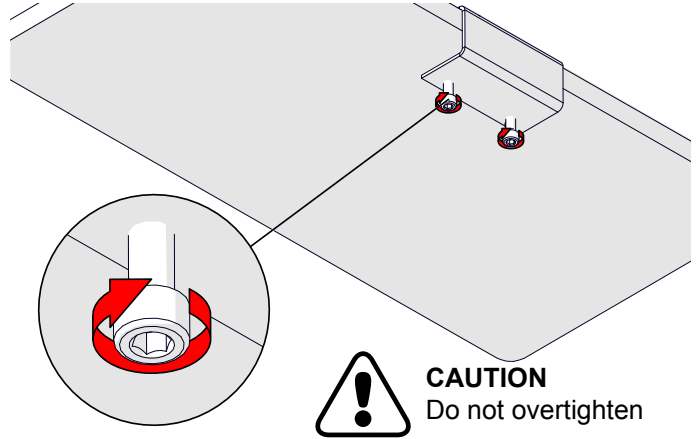
PHASE installation instructions

On Surface

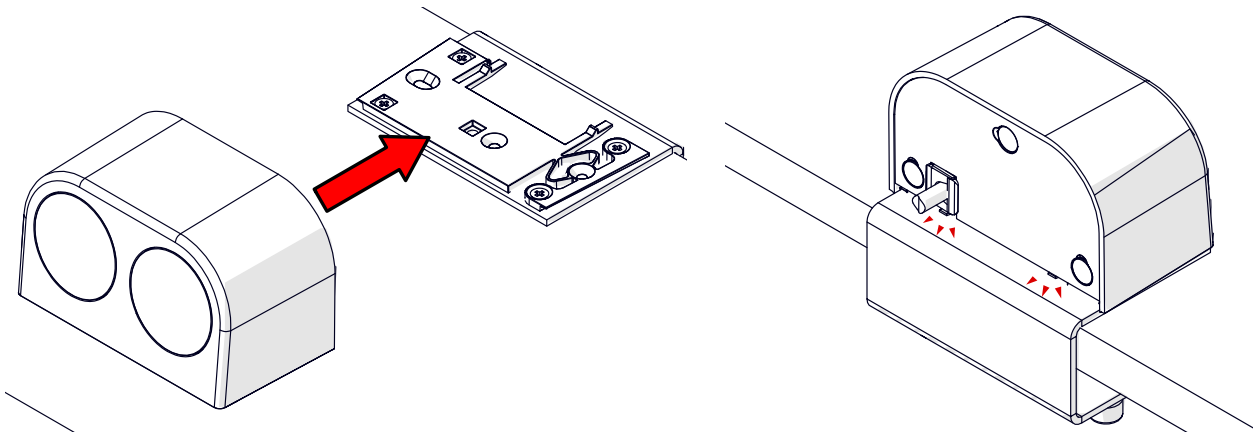
1 Slide clamp bracket onto surface



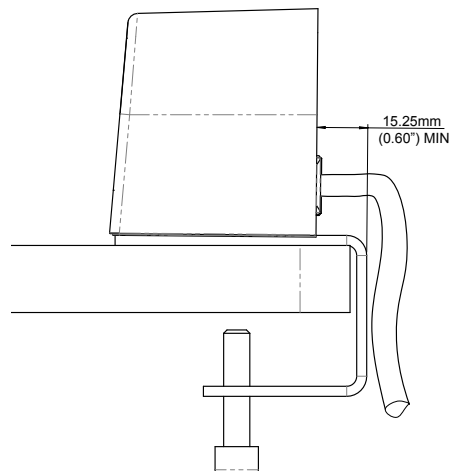
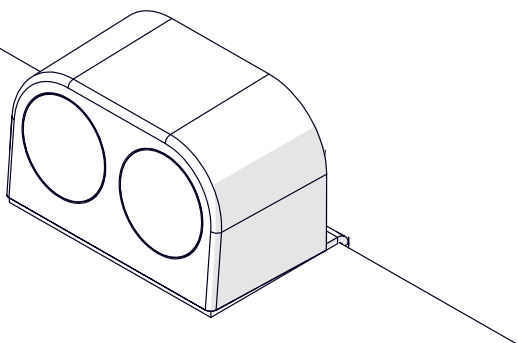
2 Tighten the clamp bracket bolts



3 Slide PHASE onto bracket



4



On Surface release clamp

- 1 Press down on locking tabs to release PHASE and slide off

