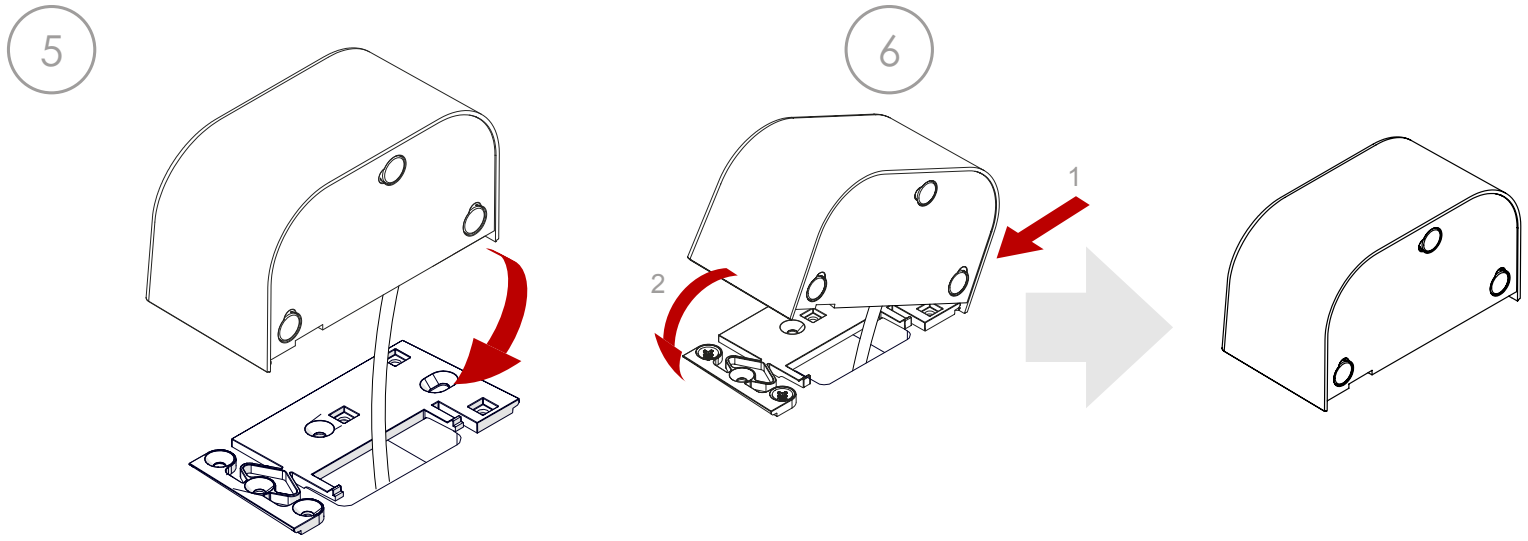
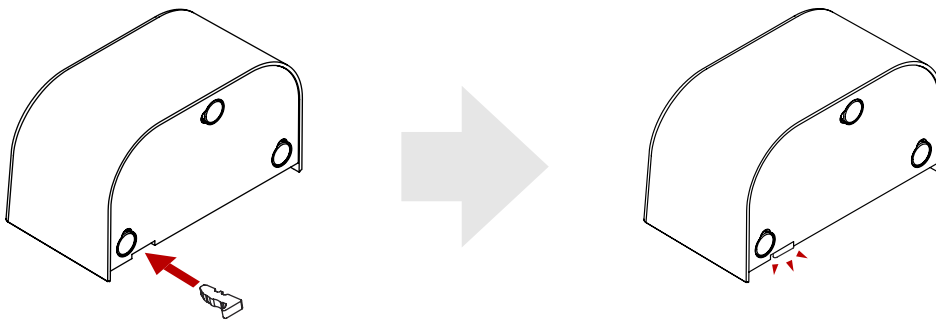




## Base Entry



## 7 Insert Locking Clip



## Base Entry release

